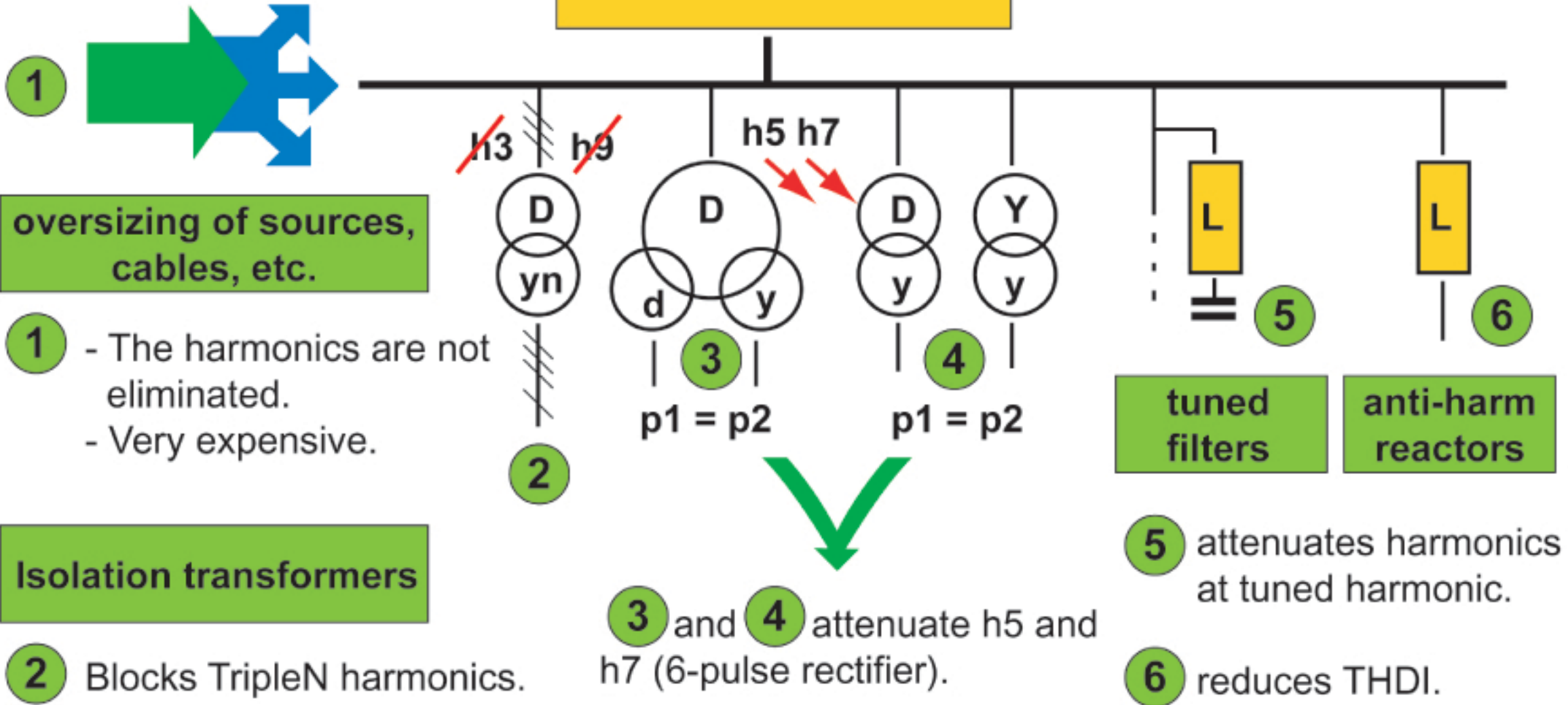


Electrical Source



1

oversizing of sources, cables, etc.

- 1 - The harmonics are not eliminated.
- Very expensive.

Isolation transformers

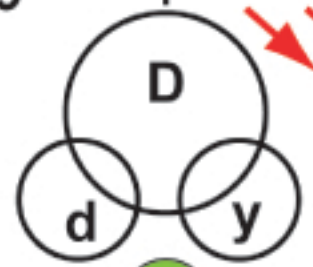
- 2 Blocks TripleN harmonics.

~~h3~~ ~~h9~~



2

~~h5~~ ~~h7~~



3

p1 = p2



4

p1 = p2



5

tuned filters



6

anti-harm reactors

3 and 4 attenuate h5 and h7 (6-pulse rectifier).

- 5 attenuates harmonics at tuned harmonic.

- 6 reduces THDI.